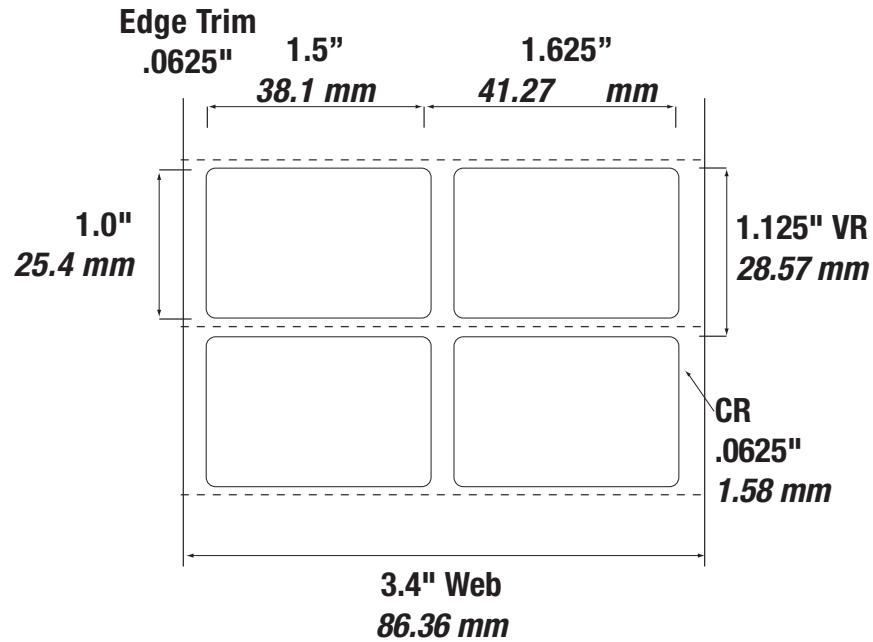


TTL™ 1 Series

Revisions			
REV	Date	By	Description
A	07/16/18	IA	Released
A	07/16/18	PPE	Released



Part Number	Material Description	Ribbon
TTL-1	Thermal Transfer Matte White Paper with Permanent Adhesive	TTR

NOT TO SCALE

Proprietary - Property of IDENTCO

Standard Tolerances	Label dimension	± .010" (.254 mm)
Label tolerances are as stated unless otherwise noted.	Edge trim/web size	± .03125" (.79375 mm)



TTL™ 1 Series

Size: 1.5" x 1.0" (38.1 mm x 25.4mm)