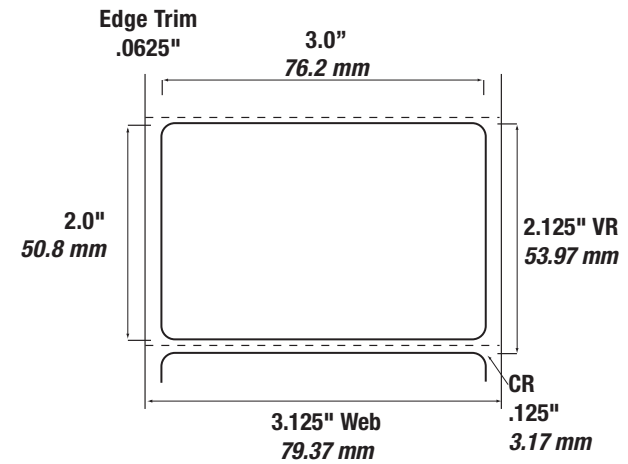
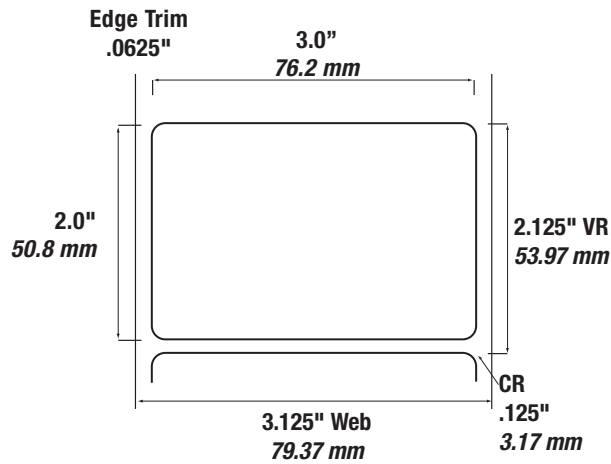


TTL™ 4 Series

| Revisions | | | |
|-----------|----------|-----|-------------|
| REV | Date | By | Description |
| A | 07/16/18 | IA | Released |
| A | 07/16/18 | PPE | Released |

| Part Number | Material Description | Ribbon |
|-------------|--|--------|
| TTL-4 | Thermal Transfer Matte White Paper with Permanent Adhesive | TTR |

| Part Number | Material Description | Ribbon |
|-------------|--|--------|
| TTL-4P | Thermal Transfer Matte White Paper with Permanent Adhesive | TTR |



NOT TO SCALE

Proprietary - Property of IDENTCO

| | | |
|--|--------------------|-----------------------|
| Standard Tolerances | Label dimension | ± .010" (.254 mm) |
| Label tolerances are as stated unless otherwise noted. | Edge trim/web size | ± .03125" (.79375 mm) |
| | | |
| | | |



Labels for Life.

TTL™ 4 Series

Size: 3.0" x 2.0" (76.20 mm x 50.80mm)